



Non-Grand Tree Protection Detail¹

A:

Vertical wood members must be a minimum of 2" x 2"

B:

Vertical wood members must be a minimum of 3 feet from finished grade

C:

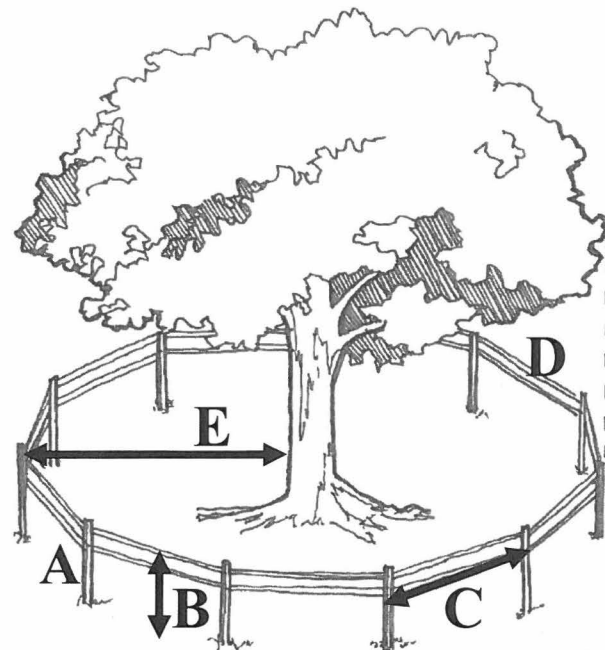
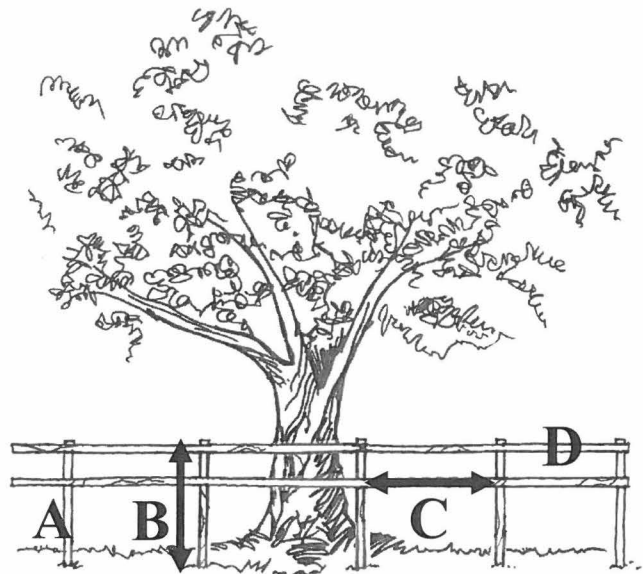
Vertical wood members may not exceed a distance greater than 8 feet

D:

Top wooden rails must be a minimum of 1" deep by 4" wide

E:

Distance from tree trunk to tree protection must be at least 10 feet



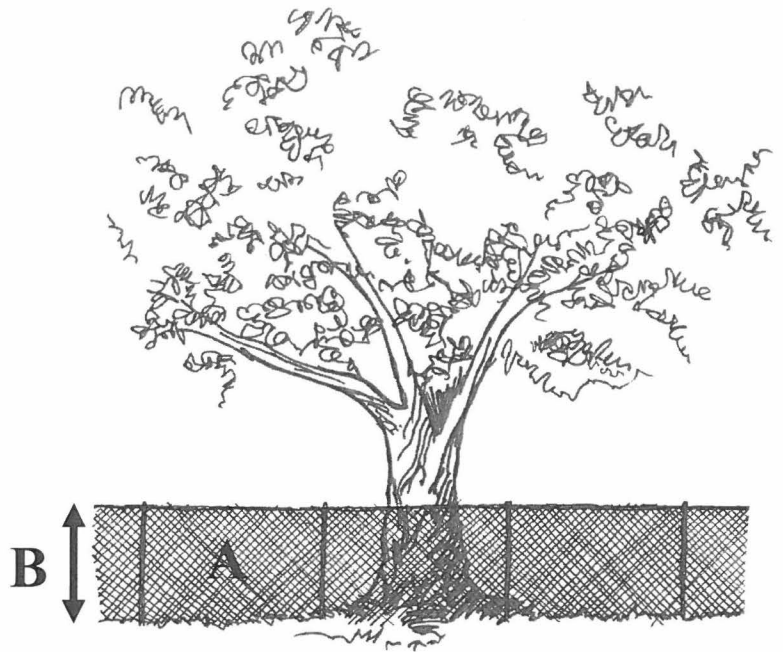
¹ For more information on tree protection, please see City of Sarasota Zoning Code, Section VII-312 *Protection of trees during development*, viewable online at www.Municode.com/Library/FL/Sarasota/Codes/Zoning



Grand¹ Tree Protection Detail²

A:

Chain link must be used for grand tree protection

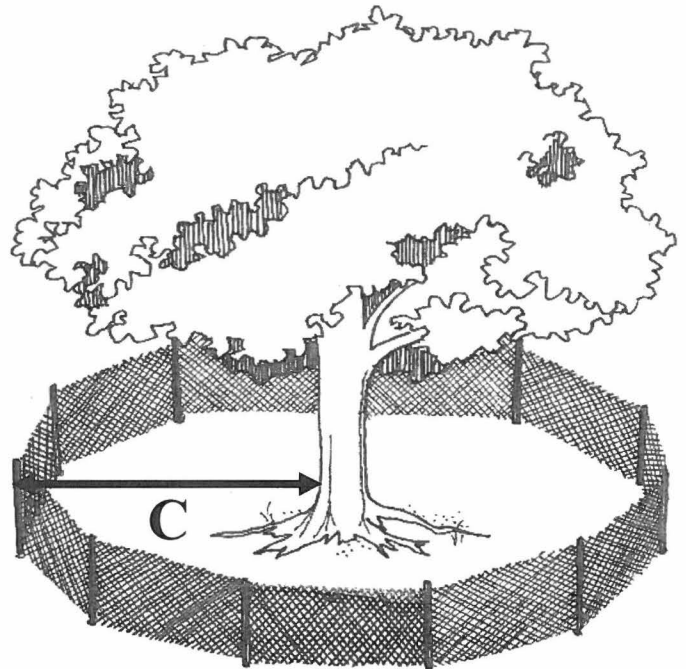


B:

Chain link shall be minimum of 6 feet in height.

C:

Tree protection barricades shall be installed a minimum of 20 feet radius around the tree.



¹ A Grand Tree, as defined in the City of Sarasota Zoning Code Article II, Division 2, Sec. II-201 *Tree protection related definitions* is a “Live Oak (*Quercus Virginiana*) or similar nomenclature for species, consisting of a tree and its root system whose single trunk or combined trunk DBH size is 24” (addition of all trunk DBH for a multi trunk tree) or greater”.

² For more information on tree protection, please see City of Sarasota Zoning Code, Section VII-312 *Protection of trees during development*, viewable online at www.Municode.com/Library/FI/Sarasota/Codes/Zoning

Proposed

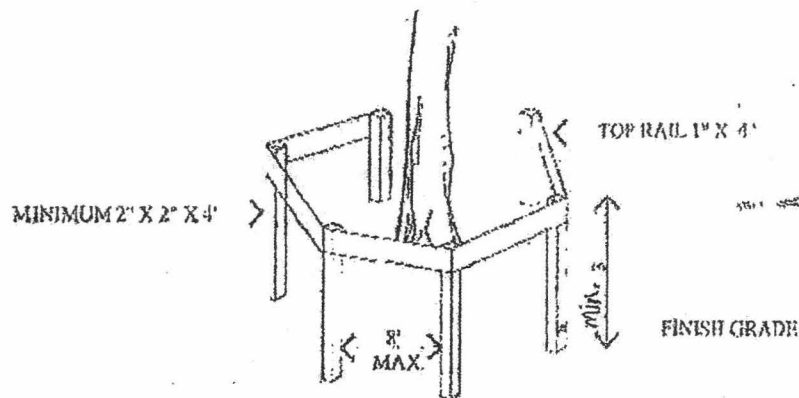
TREE PROTECTIVE BARRIER

Protective Barrier Requirements

1. Protect all above ground portions of trees from mechanical damage.
2. Protect soil near tree from compaction.
3. Provide physical and mental awareness of the presence of trees on the site to construction personnel.
4. Heavy equipment not allowed inside barrier; only hand labor.
5. Construction material nor temporary soil deposits are not allowed inside barrier area.

Protective Barrier Specifications

1. Uprights spaced at 4' intervals of not less than 2"x2" lumber with 1"x4" top rail.
2. Barriers to be erected around remaining trees before construction or nearby trees are removed.
3. Barriers to remain in place until all paving, construction and heavy equipment is out of area.



TREE BARRIER DETAIL

Not to Scale